



The Original FLATWARESAVER®

Model JD-310B

Utensil Retrieval System

Congratulations on your purchase of the FlatwareSaver from FlatwareSaver, LLC! You are now well on your way to drastically reducing the inadvertent disposal of flatware, ramekins, and other items of value. Your FlatwareSaver allows employees to easily, quickly, and cleanly retrieve these items BEFORE they enter the trash receptacle. This device requires no training, is easy to clean, and will provide years of carefree use.

SETTING UP THE FLATWARESAVER

1. Place the FlatwareSaver body on top of a 32 or 44 gallon round trash container.
2. Place the tray in the FlatwareSaver's body, setting the 2 axles into the grooves in the sides of the Saver. The handle should fit into the slot in the side of the body and engage the latch.

USING YOUR FLATWARESAVER

Dump all table scraps onto the tray. If any valuables are among the trash and food scraps, they can easily be removed and set aside. Then rotate the tray by lifting the handle. The waste will drop into the trash receptacle. Return the tray to the original position, ready for the next load of scraps.

TIPS FOR MINIMIZING SILVERWARE LOSSES

Although waste can be piled several inches high on the FlatwareSaver tray, it is recommended that the tray be rotated after every load. This will prevent a large amount of waste from building up on the tray, thus making it easier to identify and remove valuable items.

CARE AND MAINTENANCE

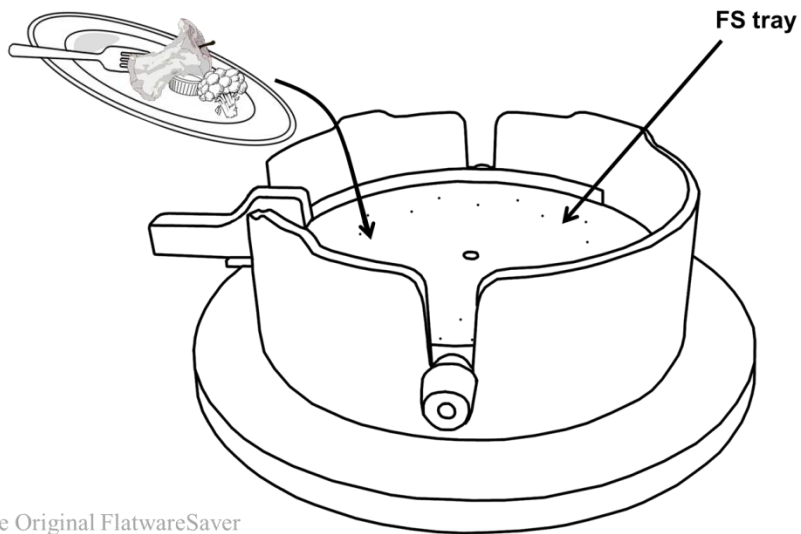
Your Flatware Saver is maintenance free; simply clean it once a day to prevent the buildup of food residue. The tray may be washed in the dish machine or sprayed off in the sink.

Take the FlatwareSaver tray and body to the washing area. These can be put through the dishwashing machine, sprayed down with hot water, or gently wiped with a sponge using soap and water. **Do not use an abrasive scrubber, as this may scratch the surfaces.**

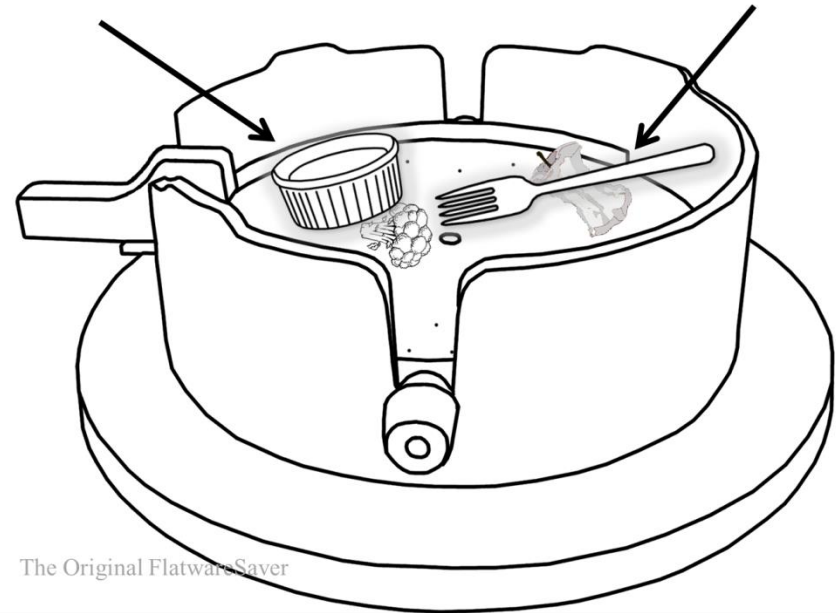
UPGRADING TO THE FLATWARESAVER DELUXE

As an option, the Original FlatwareSaver can be upgraded to the FlatwareSaver Deluxe. Contact FlatwareSaver, LLC directly regarding an upgrade.

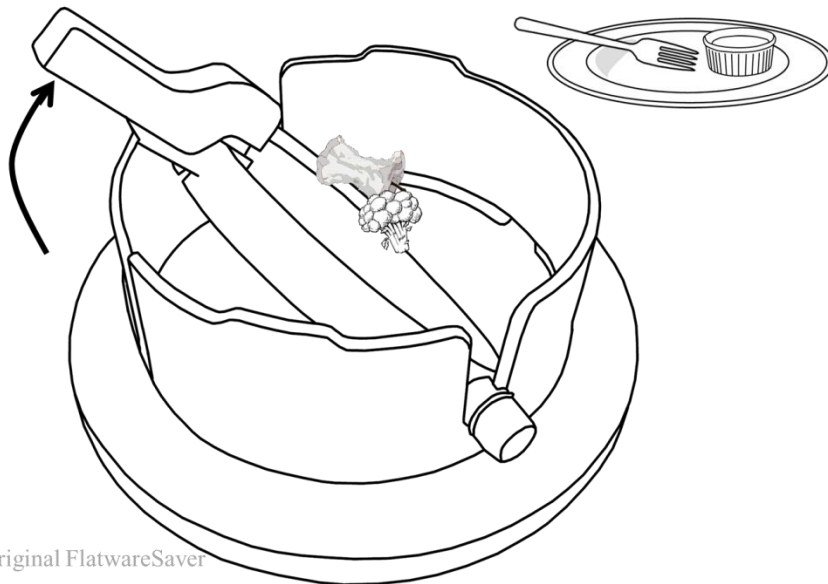
1 Scrape all table scraps onto FS tray



2 Look for and remove valuables



3 Lift handle to dispose



4 Always return tray to original position (horizontal)

